

Overview

JBE-2145 is an addressable EN 54-3 sounder with visual indicator designed to operate in a loop of intelligent fire detection and alarm devices with the JBE loop protocol. The visual indicator activates at the same time as the sounder. This visual indication is ancillary and not intended to meet the requirements of EN 54-23 beacons.

The sounder device receives activation commands from the JBE fire panel and generates its sound output accordingly.

The sounder needs to be connected to both the JBE communication bus and to the 24 V power bus. Its fault detection feature notifies the control panel when the 24V field bus is disconnected.

This sounder is compatible with the standard base JBE-2165.

Technical data

Category	EN 54-3 Type A sounder (Indoor)
Working voltage	16-30 V (JBE protocol pulse amplitude) 18.5-28.5 V (24 V DC power bus)
Connection	2-wire JBE communication bus, no polarity 2-wire 24 V DC power bus
Wiring	Twisted pair, max. wiring gauge 2.5 mm ²
Current JBE comm loop	≤ 0.25 mA @24 V
Current 24V DC bus	≤ 50 mA @24 V; ≤ 1.2 W @24 V (When active)
Sound pressure level	100 dBA @1 m; 1-2 kHz Swept Tone (0.25 Hz)
Working temperature	-10 to +55°C
Storage temperature	-20 to +60°C
Environment Humidity	≤ 95% RH (no condensation nor icing)
Addressing method	Addressing tool JBE-AT1
Address range	1-200
Dimensions	(ØxH) 100×67 mm
Weight	0.1 kg (including base)
IP rating	IP31

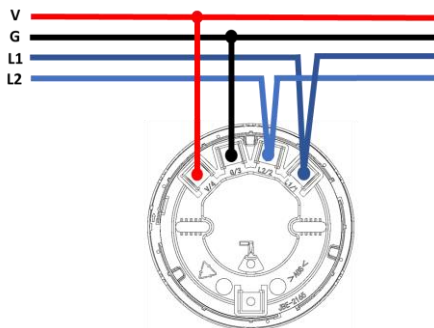
Minimum sound pressure level

dB(A) @ 1m	Horizontal Plane					
	15°	45°	75°	105°	135°	165°
	> 93	> 90	> 97	> 97	> 91	> 94
dB(A) @ 1m	Vertical Plane					
	15°	45°	75°	105°	135°	165°
	> 94	> 90	> 97	> 98	> 90	> 94

Installation

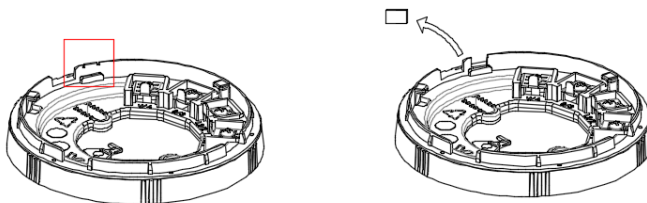
1. Secure a base JBE-2165 to the wall or ceiling (surface mounted).
2. Connect the field wires as per below

Terminals	Connection type
L1 & L2	Communication bus L1, L2 (no polarity)
V & G	24-V power line V: Positive, G: Negative.

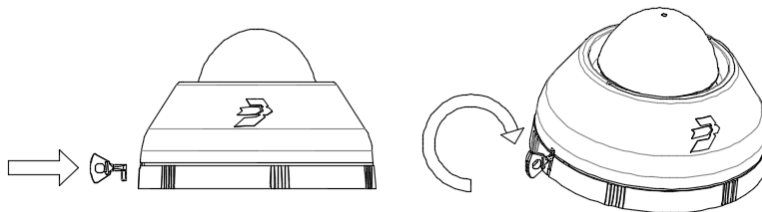


3. Program an unused loop address (1 to 200) to the sounder using the JBE-AT1 tool.
4. Insert the sounder into its base and rotate it clockwise.
5. Register the sounder into the fire panel's configuration.
6. Test activation after the installation.

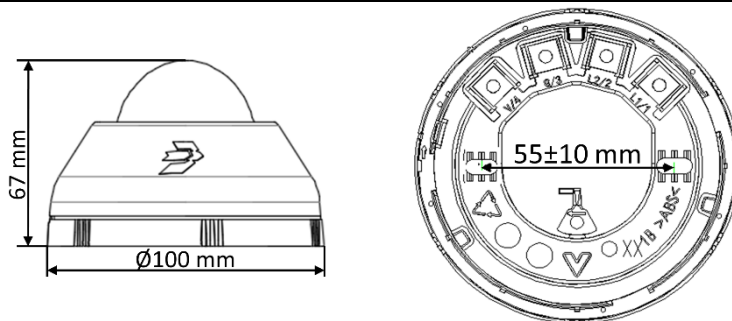
7. The mechanism for locking the sounder head to the base can be activated by removing the pre-cut plastic tab next to the keyhole using a knife, scissors or a similar tool. The tab to be removed is marked in the following figure:



8. To detach a locked sounder, insert the key included with the base into base's keyhole and turn it 180° clockwise. Then, rotate the sounder head counterclockwise to release it from the base.




Mechanical outline



all dimensions in mm

Regulatory information


0370
Jade Bird Fire Alarm International (Europe), S.L. C. Tarragona, 157. 08014 Barcelona (Spain)
20 DoP-0370-CPR-3812-1
EN 54-3:2001+AC1:2002 + A2:2006 JBE-2145 <i>Sounder intended for use in fire detection and fire alarm systems installed in and around buildings</i> <i>Type A sounder: intended for indoor applications</i> Technical file: see TF-JBE-2145-10 provided by the manufacturer.

Jade Bird Fire Alarm International (Europe), S.L.
C. Tarragona, 157. 08014 Barcelona (Spain)
www.jadebird.eu.com

